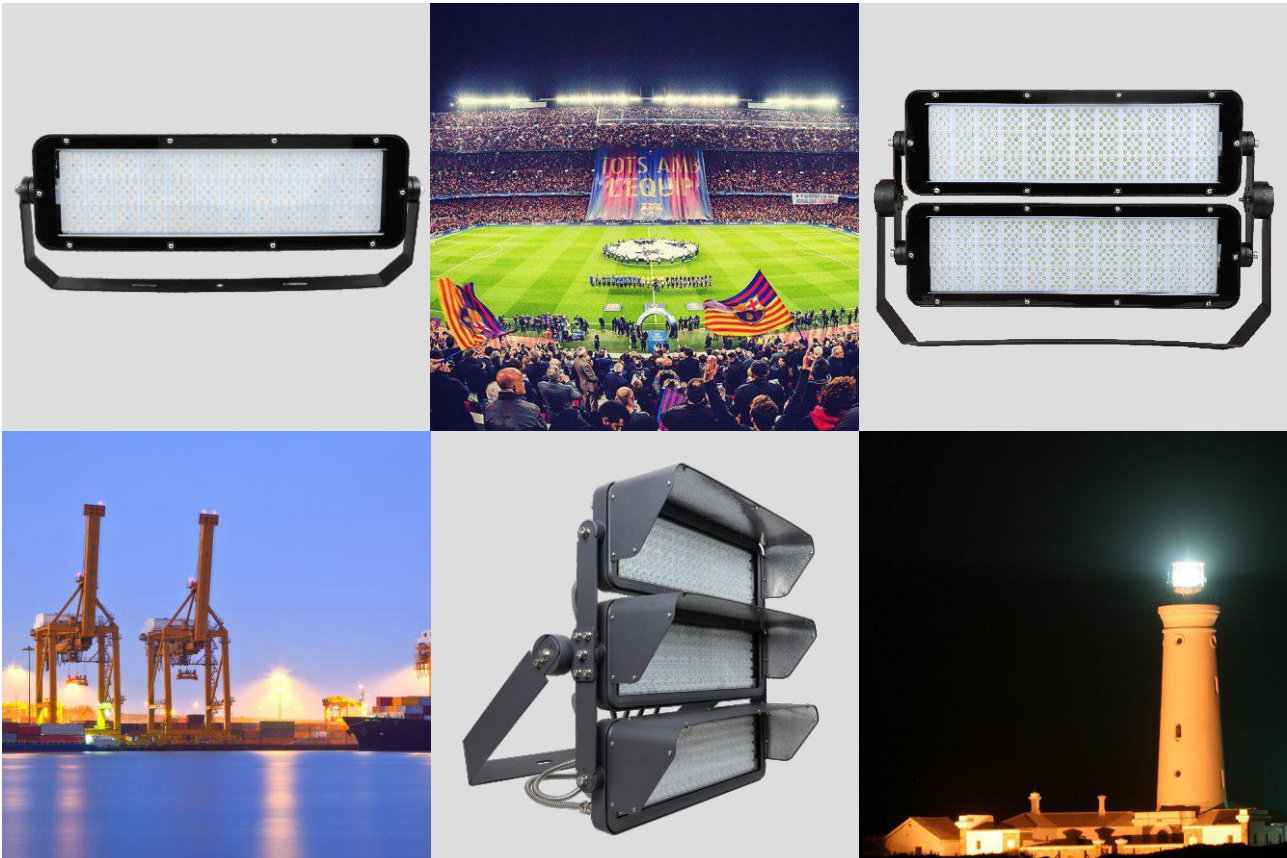


AURALED Sportstar Series



Sportstar FL18



The manufacturer reserves all rights to make changes in the materials and components used in its products. All data is subject to change without prior notice. The tolerance for all the given data is 10%.

Product Description:

Auraled Sportstar series Floodlight system provides a complete lighting solution for the simplest through the most complex area and recreational sports lighting applications. The high-efficiency floodlights come with three, two or single LED light modules, which function with an external driver box—separate for use at a distance from the floodlight, or pre-fixed onto the mounting bracket of the floodlight for ease of installation and lower initial cost. They meet the highest performance standards, provide outstanding light quality, and ensure safety and visual comfort. Sportstar series offers new possibilities to reduce energy consumption with Auraled's advanced system controls and sensors. The floodlights are also compatible with other external control systems via DALI protocol.

Features:

- Innovative floodlight with dedicated optics that ensure maximum optical efficiency and enable accurate light distribution with a minimum of spill light
- Light can be dimmed/controlled according to actual need, significantly reducing energy costs up to 65% in area lighting applications
- Minimized maintenance costs thanks to long-lasting LEDs and the luminaire's thermal management system, as well as its reliable IP66 driver box
- Precisely controlled light distribution – symmetrical and asymmetrical—limits light pollution
- Fully controllable when combined with the latest lighting control systems to enable maximum energy savings
- Unique quality of light with flicker-free operation suitable for HDTV broadcasting and Super Slow Motion

Application:

- Logistics areas
- Parking areas
- Industrial areas
- Recreational sports pitch lighting
- Outdoor stadia
- Sports training grounds
- Competition grounds (with TV broadcasting)
- Indoor arenas



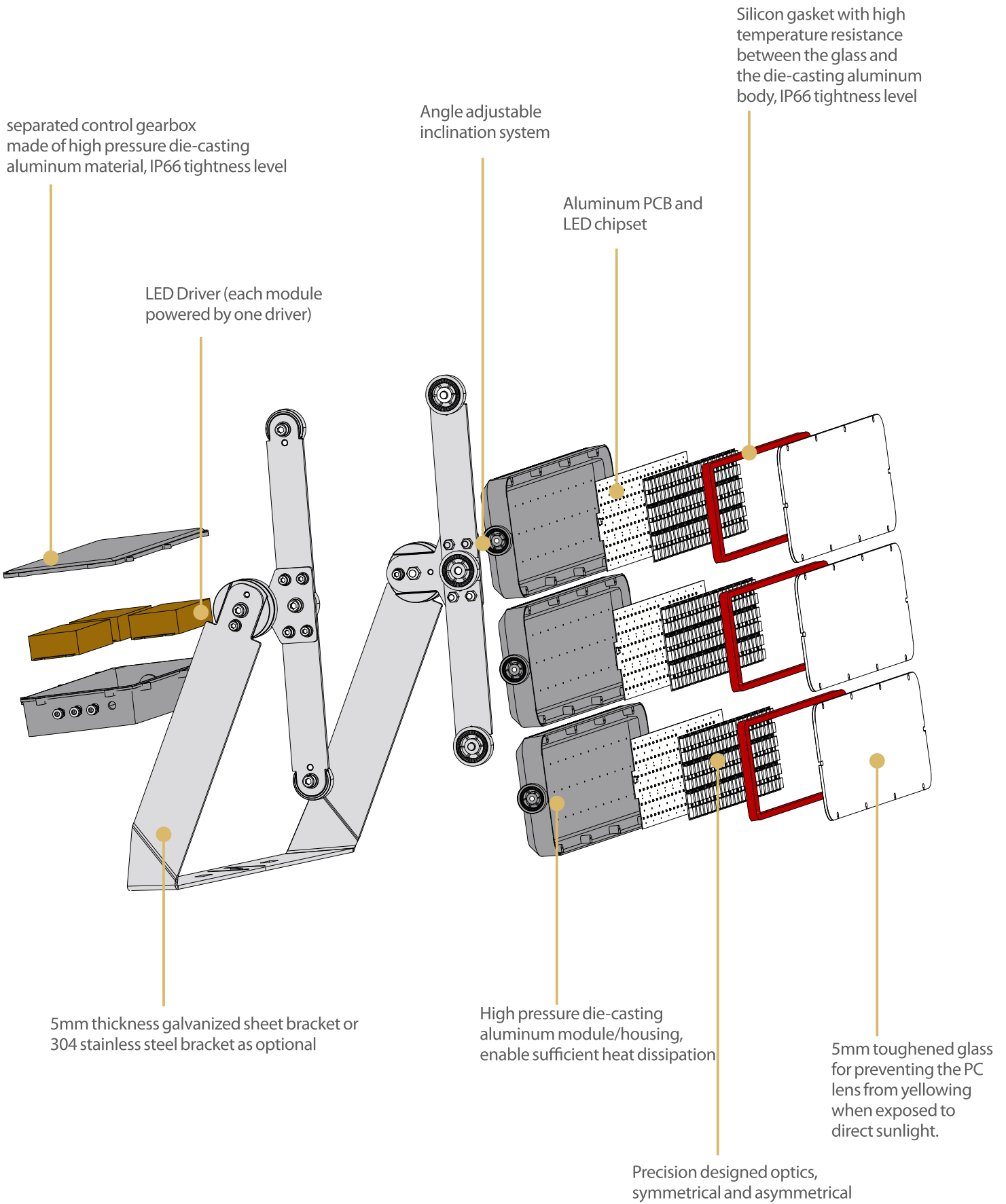
Specifications:

Sportstar FL18

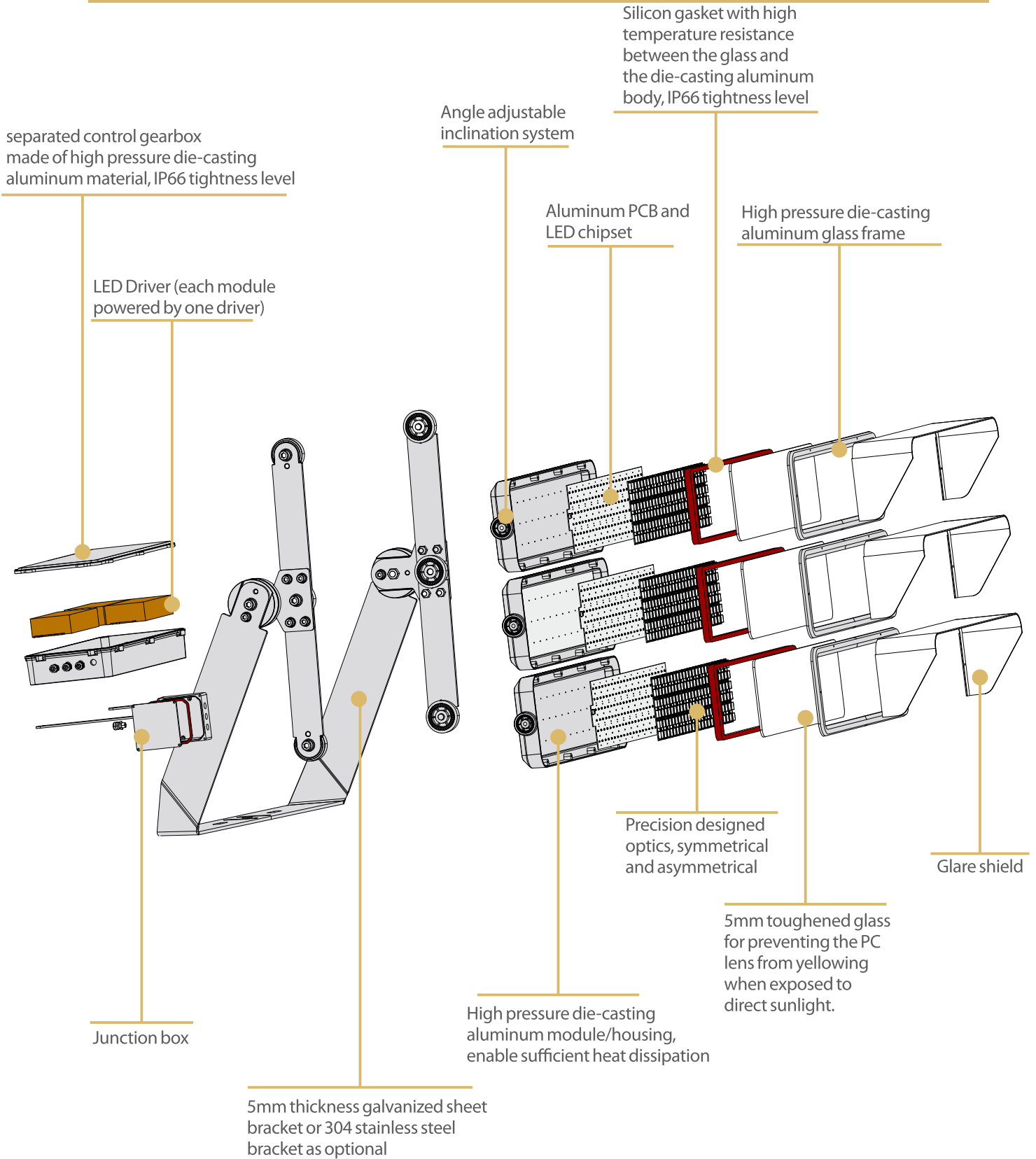


Model	AL-FL18-1M(100-400W) AL-FL18-2M(400-800W) AL-FL18-3M(800-1200W)
Light source	Integral LED Module
Power	200W/300W/500W/600W/700W/800W/1000W/1200W (Other power upon request)
Luminaire flux	11000-36000Lumen for AL-FL18-1M(100-400W) 44000-96000Lumen for AL-FL18-2M(400-800W) 96000-144000Lumen for AL-FL18-3M(800-1200W)
Luminaire efficacy	110-130lm/W
CCT	4000K (3000K/5000K/5700K upon request)
CRI	> 70 80 or 90(upon request)
Lifetime	100,000 hours at 25°C ambient temperature
Operating temperature range	-30 to 45°C
Driver	Meanwell (Inventronics optional) Other brand of driver(upon request)
Electrical	Class I Input voltage: 90-305VAC/50-60Hz,170-305VAC/50-60Hz 10KV/20KV SPD
Dimming	Dali 1-10V PWM Smart control management system
Options	Photocell Surge protection device (up to 20KV) External cable(Length upon request) Smart control device Motion detection
Materials	Housing: ADC12 die-cast aluminum Cover: Toughened Glass Screws: 304 stainless screws
Color	Grey/ Black/ white
Tightness level	IP66
Impact Resistance	IK08
Standards & Certifications	CE CB Pending LM80 LM79 TM21

Lighting-exploded drawing

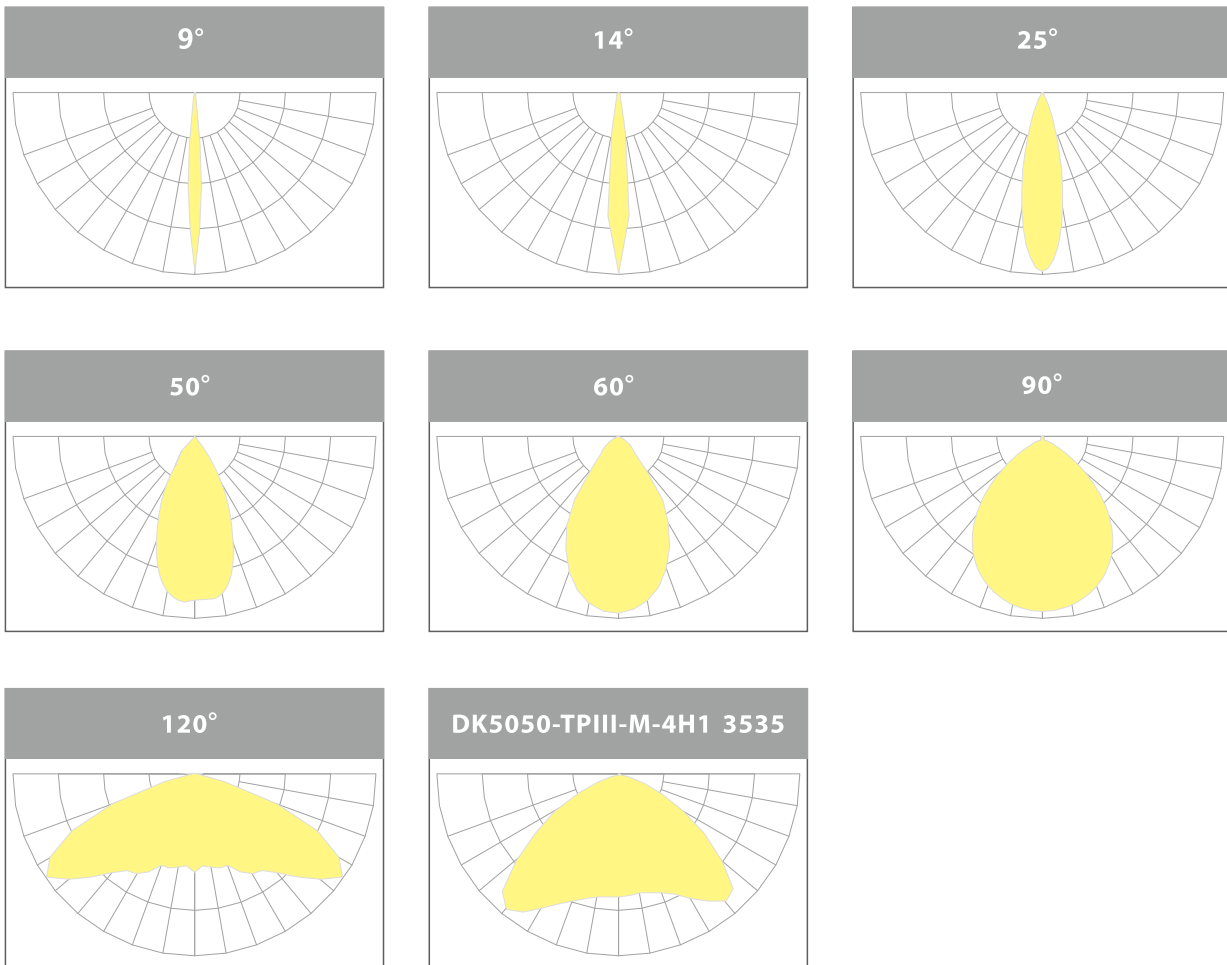


Lighting-exploded drawing (With Junction box & Glare shield)

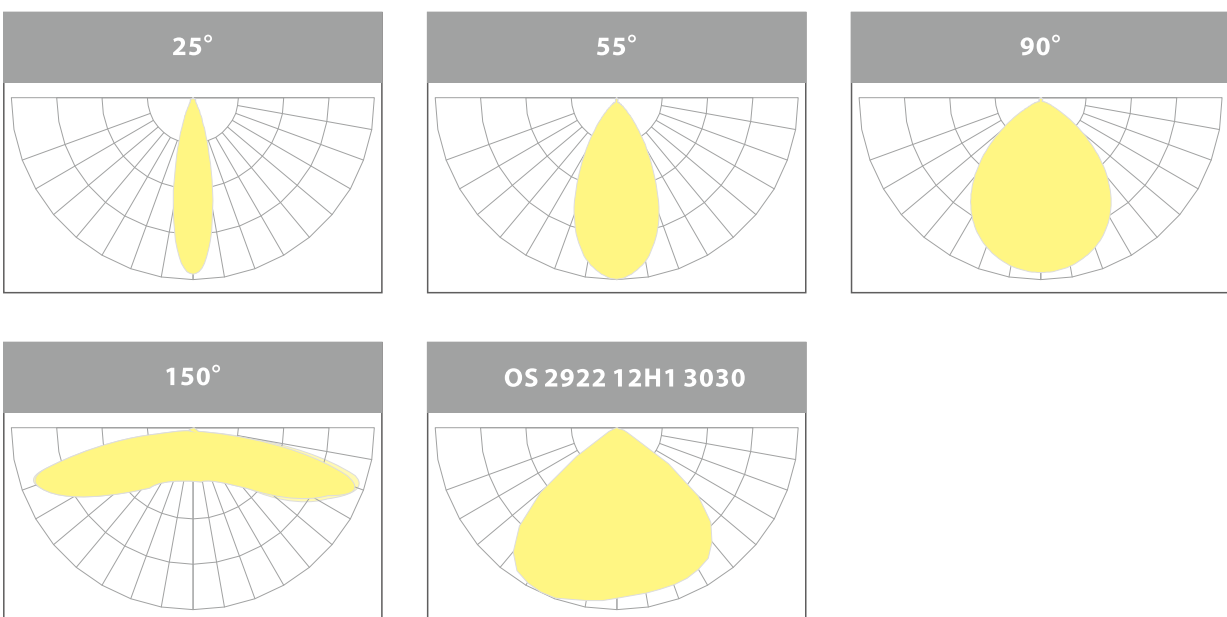


Luminous Intensity Distribution Diagram

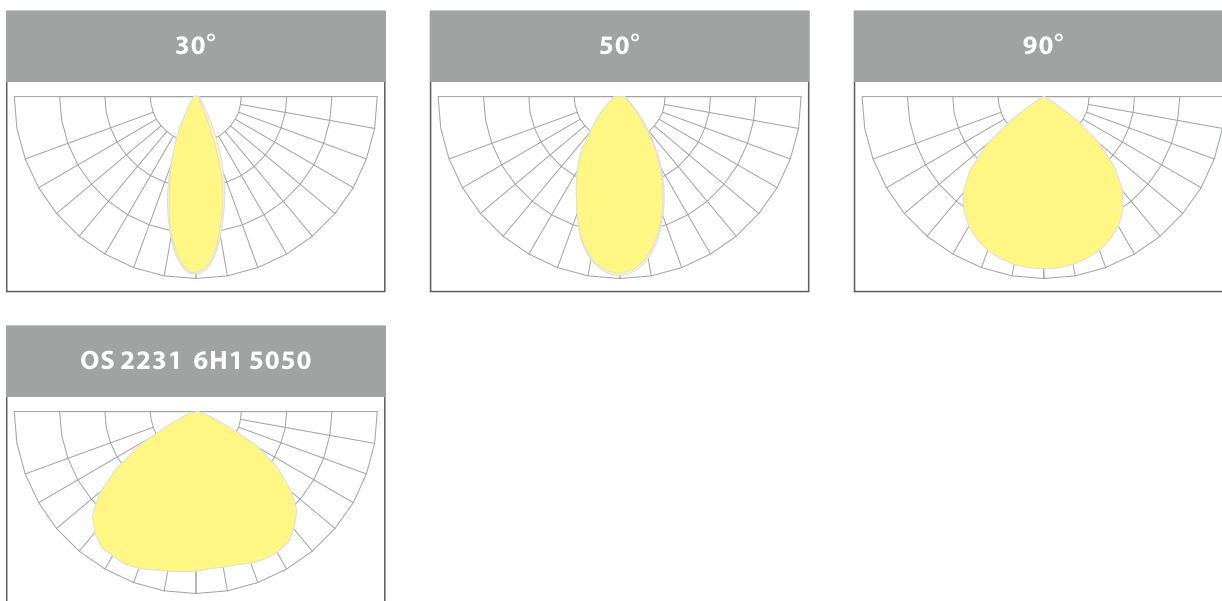
Option 1: with 3535 LED package, basically could offer 7 standard light distribution curves as following



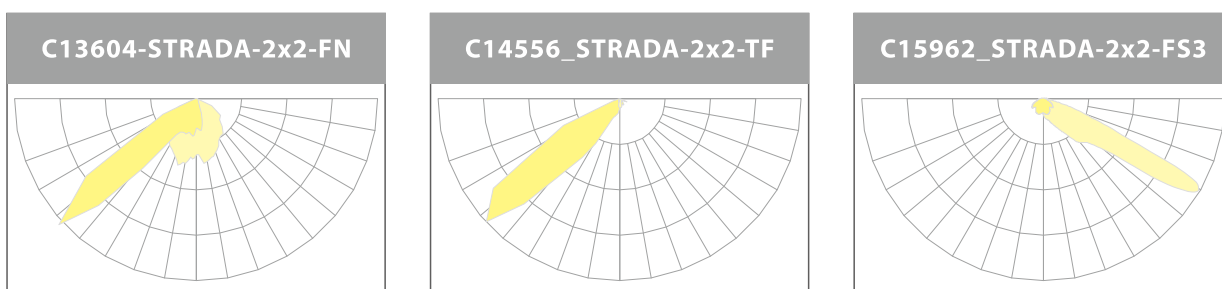
Option 2: with 3030 LED package, basically could offer 4 standard light distribution curves as following



Option 3: with 5050 LED package, basically could offer 3 standard light distribution curves as following



Option 4: Available for LEDIL LENS, size 50x50mm, for example: STRADA-2X2 modules, STRADA-2X2CSP, STRADEKKA-8, STRADEKKA-16.



Product details:

AL-FL18-3M(800-1200W)3-Light module Version



(Front view)

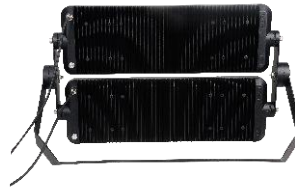


(Back view)

AL-FL18-2M(400-800W) 2-Light module Version



(Front view)



(Back view)

AL-FL18-1M(100-400W) 1-Light module Version



(Front view)



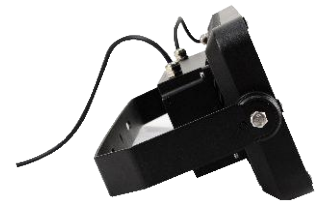
(Back view)



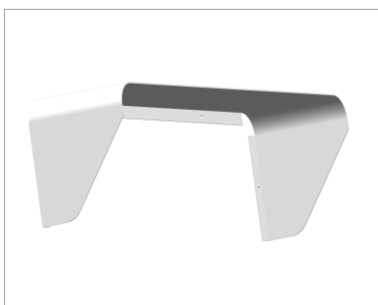
Side View



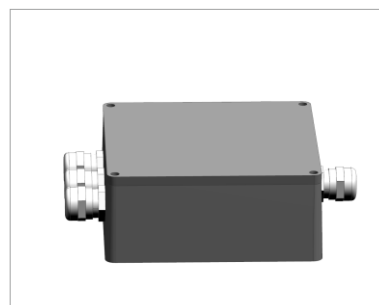
Side View



Side View

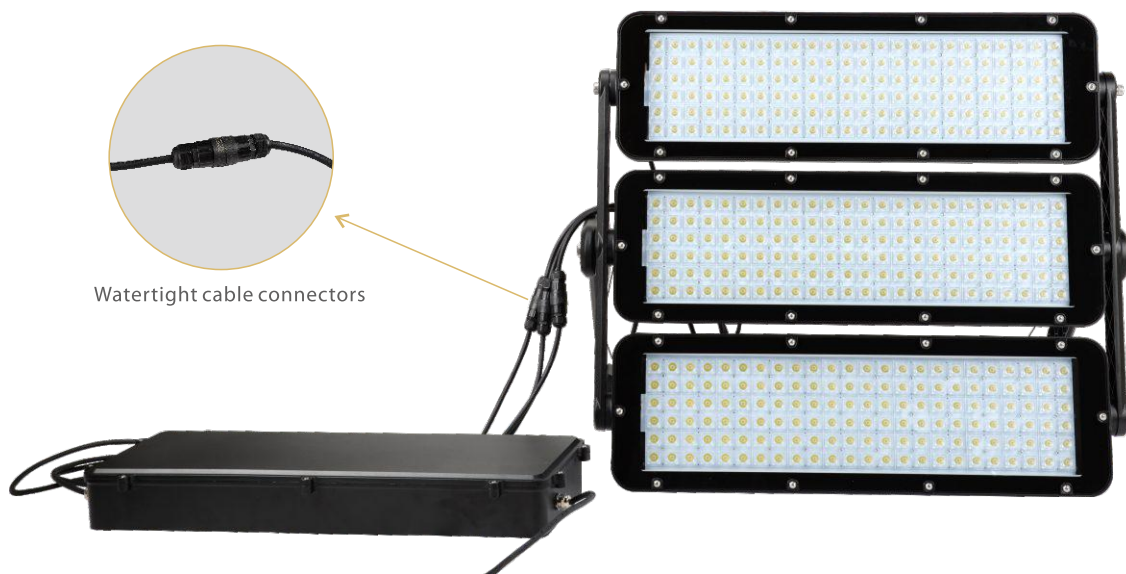


Glare shield



Junction box

3-light module version with separate driver box



Safety rope



The slot-hole in the bracket facilitates flexible installation.



High pressure die-casting aluminum bracket



Angle adjustable inclination system

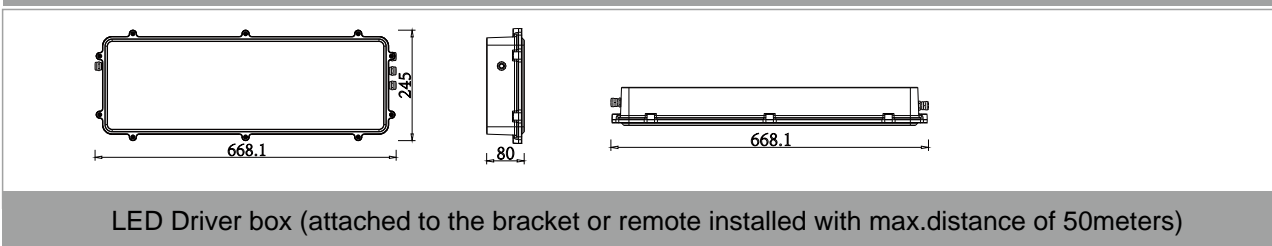
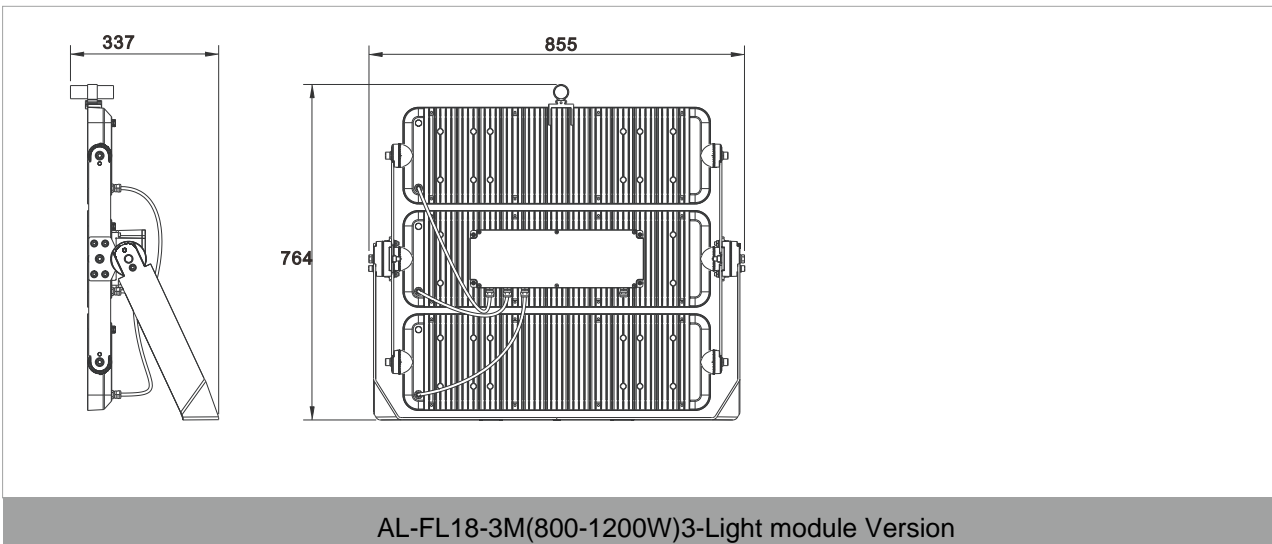
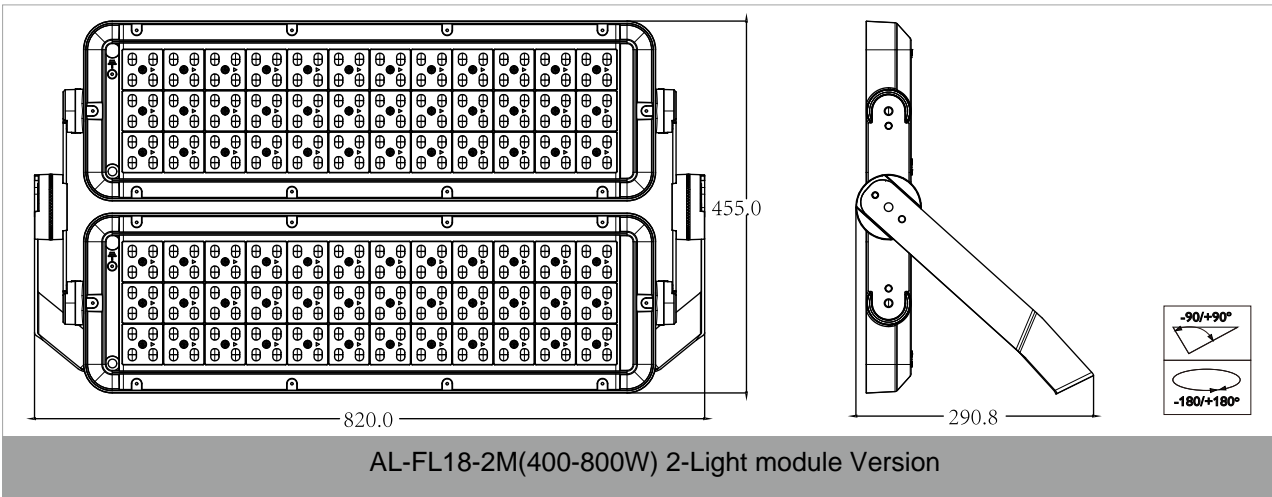
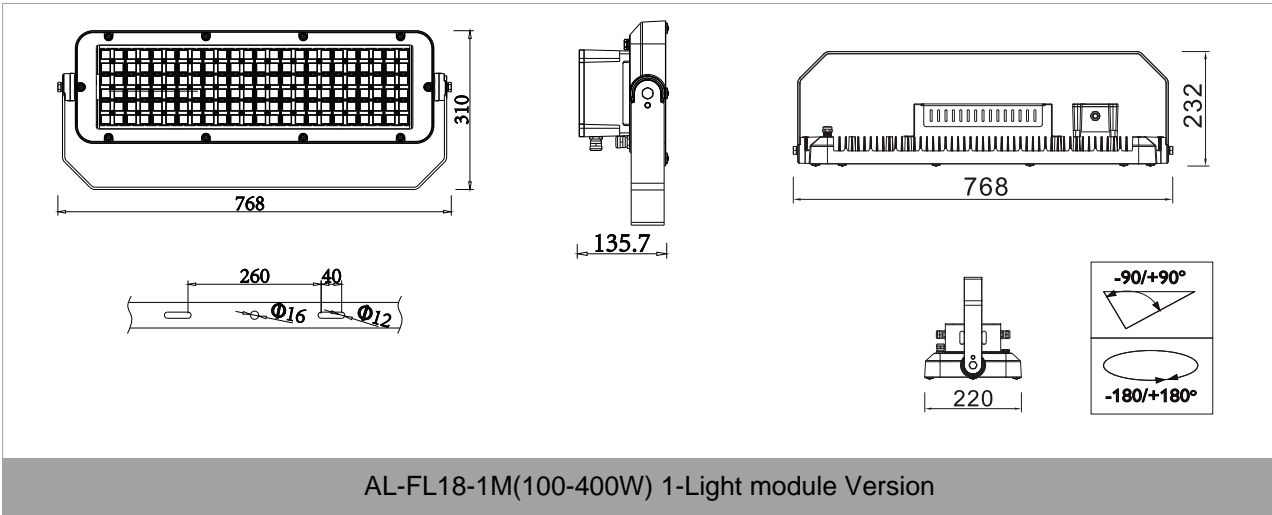


M16 Waterproof connector



separated control gearbox made of high pressure die-casting aluminum material, IP66 tightness level

Product size:



Installation:

- IMPORTANT SAFEGUARDS

When using electrical equipment, basic safety precautions should always be followed including the following:

1.To avoid the possibility of electrical shock, turn off power supply before installation or servicing. Installation and servicing should be performed by qualified personnel.

- READ AND FOLLOW ALL SAFETY INSTRUCTIONS

2.When closing cover of fixture, be sure all wires are inside housing to avoid pinching wires.

3.Product must be installed in accordance with your local electrical code.

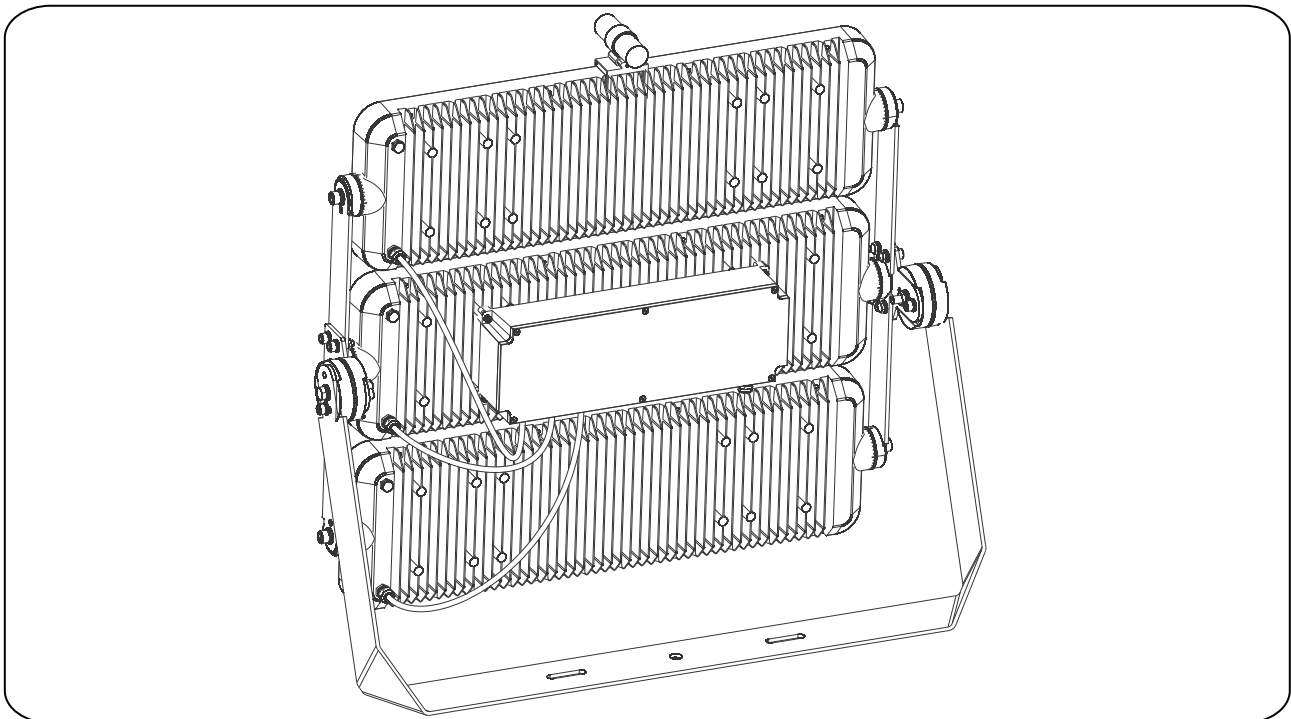
If you are not familiar with these codes and requirements, consult a qualified electrician.

4.Do not change the structure or any components of the fixture to ensure safety.

Installation Way:

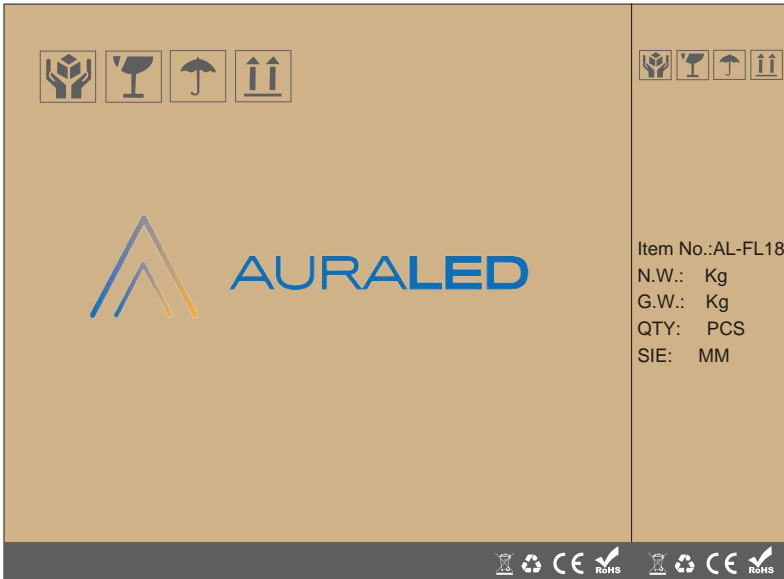


Standard mounting:



Packaging:

Model	Carton Size(mm)	N.W.(Kg)	G.W.(Kg)
AL-FL18-1M	840x385x210	18.0	21.0
AL-FL18-2M	890x525x240	23.2	25.2
AL-FL18-3M	830x760x210	35.0	39.0



Warranty:

- 5 years limited warranty is standard on luminaire and components.

Project Cases:

